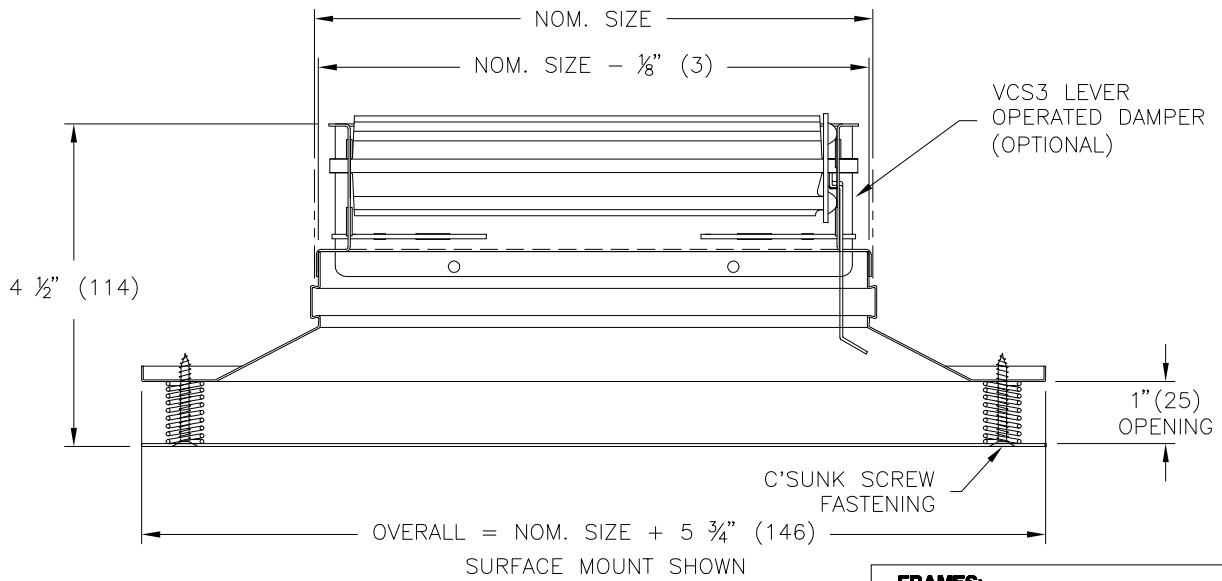


PLAQUE DIFFUSER EXTENDED FACE

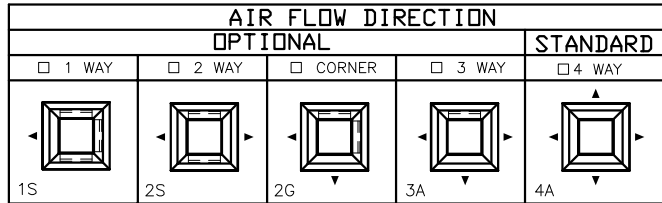


AVAILABLE SIZES:

FRAME	NOM. SIZE
1	<input type="checkbox"/> 6 x 6
	<input type="checkbox"/> 9 x 9
	<input type="checkbox"/> 12 x 12
	<input type="checkbox"/> 15 x 15
	<input type="checkbox"/> 18 x 18
	<input type="checkbox"/> 21 x 21

FRAME	NOM. SIZE	CEILING MODULE
36	<input type="checkbox"/> 6 x 6	12" x 12" (305x305)
	<input type="checkbox"/> 18 x 18	24" x 24" (610x610)
3P	<input type="checkbox"/> 6 x 6	24" x 24" (610x610)
	<input type="checkbox"/> 9 x 9	24" x 24" (610x610)
	<input type="checkbox"/> 12 x 12	24" x 24" (610x610)
	<input type="checkbox"/> 15 x 15	24" x 24" (610x610)

PATTERN:



FINISH:

- B12 - WHITE POWDER COAT (OPTIONAL FINISHES AVAILABLE)

OPTIONS:

- SR SQUARE TO ROUND ADAPTOR
- VCS3L - LEVER OPERATED OPPOSED BLADE DAMPER

MATERIAL:

- STEEL CONSTRUCTION

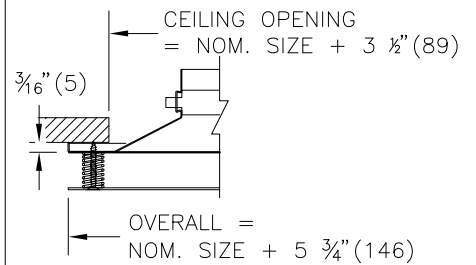
NOTES:

- FACTORY TOLERANCE ±.031

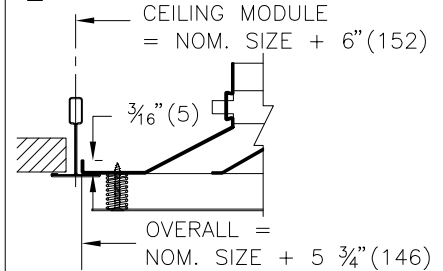
ALL METRIC DIMENSIONS () ARE SOFT CONVERTED. IMPERIAL DIMENSIONS ARE CONVERTED TO METRIC AND ROUNDED TO THE NEAREST MILLIMETER.

FRAMES:

1 SURFACE MOUNT

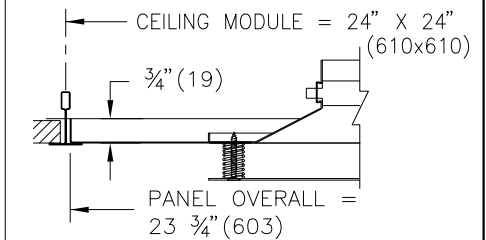


36 T-BAR



PANELS:

3P T-BAR



PROJECT:

ENGINEER:

CUSTOMER:

SUBMITTAL DATE:

SPEC. SYMBOL:



MG
255927

PDE
PLAQUE DIFFUSER

2013/07/30